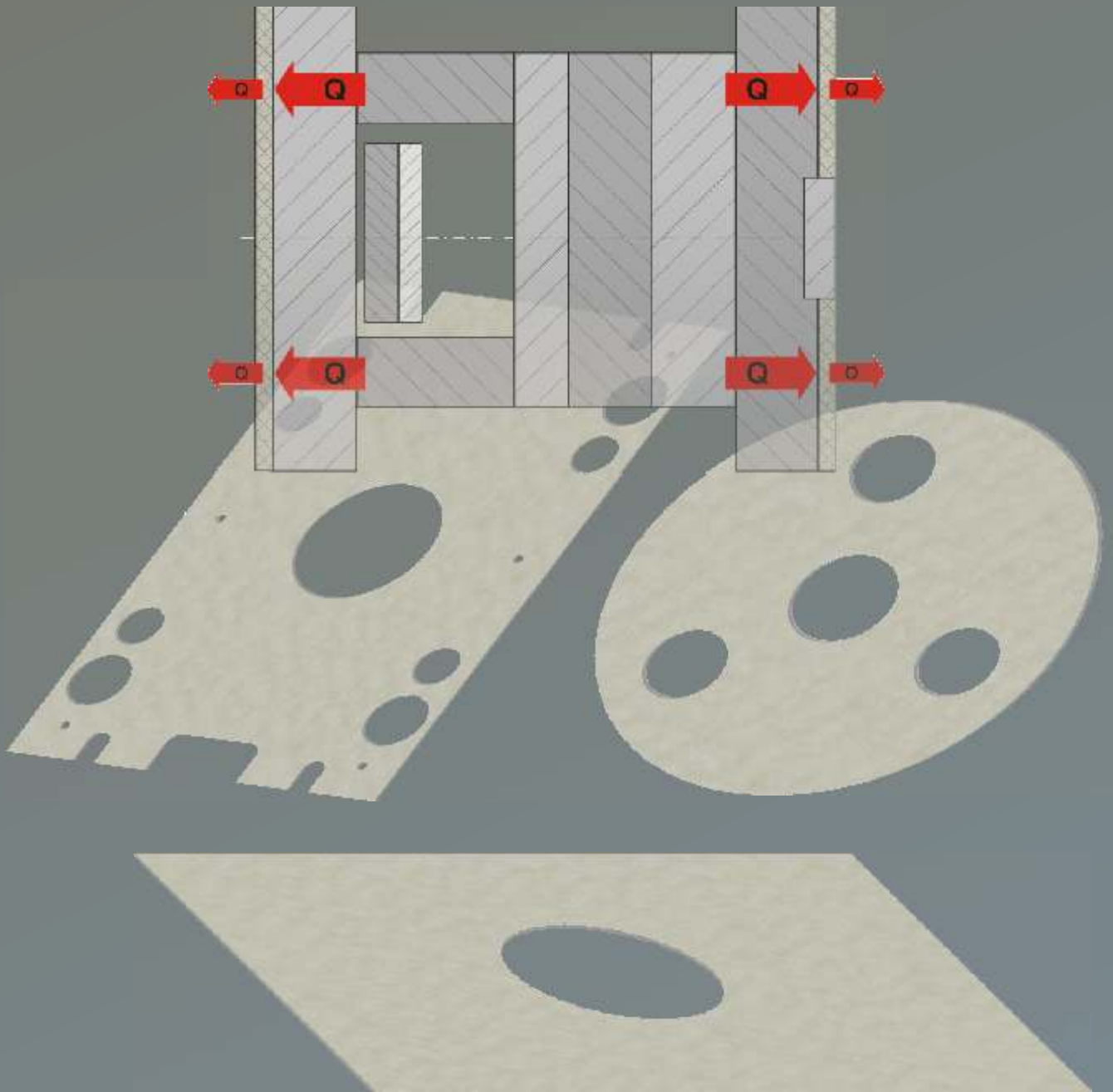
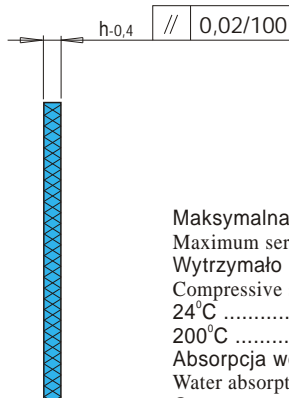
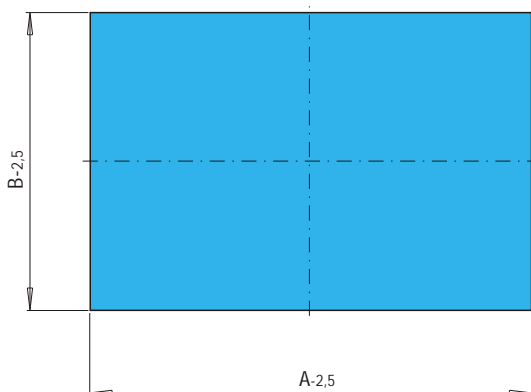




FCPK Bytów Sp. z o.o.  
ul. L. borska 26, 77-100 Bytów, Poland  
tel. +48-59-822-9700, fax +48-59-822-9701  
www.fcpk.pl

# PŁYTY IZOLACYJNE INSULATING PLATES





# MS0101

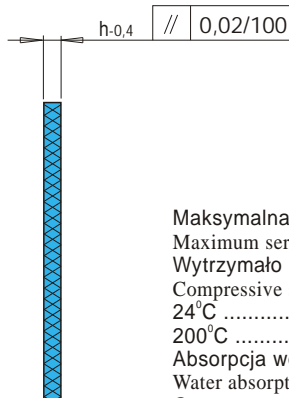
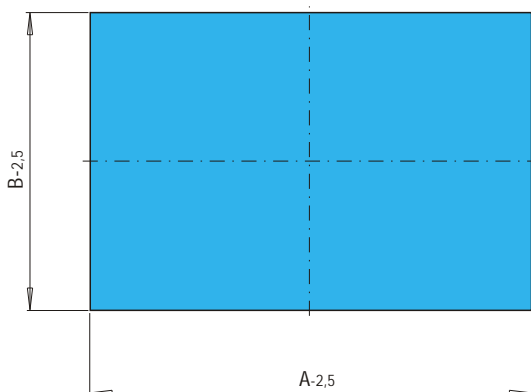
## 330 N/mm<sup>2</sup>

Maksymalna temperatura robocza: ..... 300 °C  
 Maximum service temperature  
 Wytrzymałość na ciskanie:  
 Compressive strength:  
 24°C ..... 330 N/mm<sup>2</sup>  
 200°C ..... 120 N/mm<sup>2</sup>  
 Absorpcja wody: ..... 0,1 %  
 Water absorption  
 G sto ..... 1,6 g/cm<sup>3</sup>  
 Density  
 Współczynnik przewodnictwa cieplnego: 0,13 W/m K  
 Thermal conductivity

B	A	h	NR KAT.		
95	95	3	MS0101-095 095/3		
100	130		MS0101-100 130/3		
156	156		MS0101-156 156/3		
	196		196/3		
	246		246/3		
	296		296/3		
	396		396/3		
190	246		MS0101-190 246/3		
	296		296/3		
196	196		MS0101-196 196/3		
	246	246/3			
	296	296/3			
	346	346/3			
206	156	MS0101-206 156/3			
	196	196/3			
218	246	MS0101-218 246/3			
	296	296/3			
246	246	MS0101-246 246/3			
	296	296/3			
254	246	MS0101-254 246/3			
276	246	MS0101-276 246/3			
296	246	MS0101-296 296/3			
	296	296/3			
95	95	5	MS0101-095 095/5		
			MS0101-100 130/5		
			MS0101-156 156/5		
			196	196/5	
			246	246/5	
			296	296/5	
			396	396/5	
			190	246	MS0101-190 246/5
				296	296/5
			196	196	MS0101-196 196/5
246	246/5				
296	296/5				
346	346/5				
396	396/5				
446	446/5				
206	156	MS0101-206 156/5			
	196	196/5			
	218	MS0101-218 246/5			
218	246	MS0101-218 246/5			
	296	296/5			
396	396	396/5			

B	A	h	NR KAT.		
246	246	5	MS0101-246 246/5		
			296/5		
			346/5		
			396/5		
			446/5		
			496/5		
			254	246	MS0101-254 246/5
			276	246	MS0101-276 246/5
			296	296	MS0101-296 296/5
				346	346/5
346	346	6	MS0101-346 346/5		
			396/5		
			446/5		
			496/5		
			546/5		
			596/5		
			396	346	MS0101-346 346/5
			396	396	MS0101-396 396/5
			396	396	MS0101-396 396/5
				446	446/5
126	156	6	MS0101-126 156/6		
			246/6		
			156	156	MS0101-156 156/6
			196	196/6	
			206	206/6	
			246	246/6	
			296	296/6	
			346	346/6	
			396	396/6	
			446	446/6	
196	196	6	MS0101-196 196/6		
			206/6		
			246/6		
			296/6		
			346/6		
			396/6		
			446/6		
			496/6		
			216	246	MS0101-216 246/6
			296	296	296/6

B	A	h	NR KAT.			
216	396	6	MS0101-216 396/6			
			246	246	MS0101-246 246/6	
			266	266/6		
			296	296/6		
			346	346/6		
			396	396/6		
			446	446/6		
			496	496/6		
			546	546/6		
			596	596/6		
266	296	MS0101-266 296/6				
196	346	7	MS0101-196 296/7			
			346/7			
			396/7			
			446/7			
			218	396	MS0101-218 396/7	
			246	246	MS0101-246 246/7	
246	296	7	296/7			
			346/7			
			396/7			
			446/7			
			254	246	MS0101-254 246/7	
			276	296	MS0101-276 296/7	
			296	296	MS0101-296 296/7	
				346	346/7	
			346	346	7	MS0101-346 346/7
						396/7
446/7						
496/7						
546/7						
396	396	MS0101-396 396/7				
446	446/7					
496	496/7					
546	546/7					
496	496	MS0101-496 546/7				
296	296	8	MS0101-296 296/8			
			346/8			
			396/8			
			446/8			
			496/8			
			546/8			

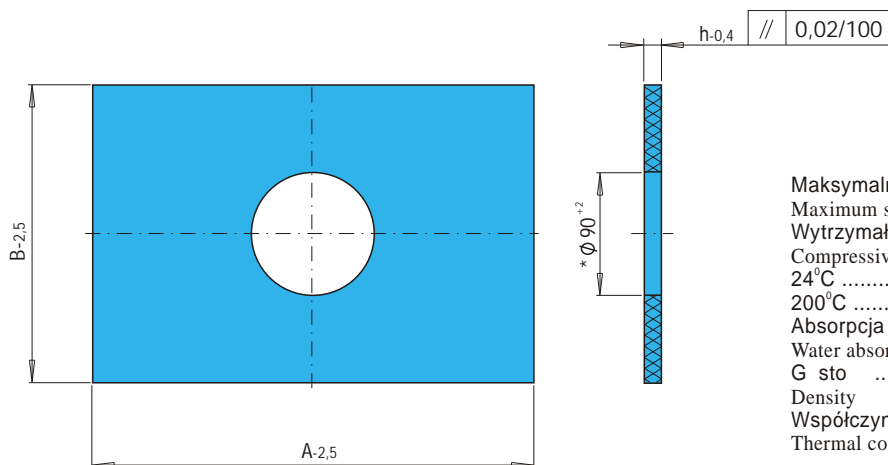


MS0101

330 N/mm<sup>2</sup>

Maksymalna temperatura robocza: ..... 300 °C  
 Maximum service temperature  
 Wytrzymałość na ciskanie:  
 Compressive strength:  
 24°C ..... 330 N/mm<sup>2</sup>  
 200°C ..... 120 N/mm<sup>2</sup>  
 Absorpcja wody: ..... 0,1 %  
 Water absorption  
 G sto ..... 1,6 g/cm<sup>3</sup>  
 Density  
 Współczynnik przewodnictwa cieplnego: 0,13 W/m K  
 Thermal conductivity

B	A	h	NR KAT.	B	A	h	NR KAT.	B	A	h	NR KAT.	
296	596	8	MS0101-296 596/8	596	996	8	MS0101-596 996/8	396	796	8,5	MS0101-396 796/8,5	
	646		646/8	646	646		MS0101-646 646/8	896	896/8,5			
	696		696/8	696	696		696/8	446	446		MS0101-446 446/8,5	
346	346	8	MS0101-346 346/8	796	796	8	796/8	496	496	8,5	496/8,5	
	396		396/8	896	896		896/8	546	546		546/8,5	
	446		446/8	996	996		996/8	596	596		596/8,5	
	496		496/8	696	696		MS0101-696 696/8	696	696		696/8,5	
	546		546/8		746		746/8	796	796		796/8,5	
	596		596/8		796		796/8	896	896		896/8,5	
	646		646/8	896	896/8		496	496	MS0101-496 496/8,5			
	696		696/8	996	996/8			546	546/8,5			
	796		796/8	746	796			MS0101-746 796/8	596		596/8,5	
	396		396	8	MS0101-396 396/8		896	896	8		896/8	696
446		446/8	996		996/8	796	796	796/8,5				
496		496/8	796		796	MS0101-796 796/8	896	896		896/8,5		
546		546/8			846	846/8	996	996		996/8,5		
596		596/8			896	896/8	546	546		MS0101-546 546/8,5		
646		646/8	996		996/8	596		596/8,5				
696		696/8	846		896	MS0101-846 896/8		646		646/8,5		
796		796/8	996		996/8	696	696	696/8,5				
446	446	8	MS0101-446 446/8	246	496	8,5	MS0101-246 496/8,5	796	796	8,5	796/8,5	
	496		496/8	296	296		MS0101-296 296/8,5	896	896		896/8,5	
	546		546/8	346	346		346/8,5	996	996		996/8,5	
	596		596/8	396	396		396/8,5	596	596		MS0101-596 596/8,5	
	646		646/8	446	446		446/8,5		696		696	696/8,5
	696		696/8	496	496		496/8,5		796		796	796/8,5
	796		796/8	546	546		546/8,5	896	896		896/8,5	
	496		496	8	MS0101-496 496/8		596	596	8		596/8,5	996
546		546/8	696		696	696/8,5	646	596		MS0101-646 596/8,5		
596		596/8	346		346	MS0101-346 346/8,5		696		696	696/8,5	
646		646/8	396		396	396/8,5		796		796	796/8,5	
696		696/8	446		446	446/8,5	896	896		896/8,5		
796		796/8	496		496	496/8,5	996	996		996/8,5		
546	546	8	MS0101-546 546/8	546	546	8	546/8,5	696	696	8,5	MS0101-696 696/8,5	
	596		596/8	596	596		596/8,5		796		796	796/8,5
	646		646/8	696	696		696/8,5		896		896	896/8,5
	696		696/8	796	796		796/8,5	996	996		996/8,5	
	796		796/8	396	396		MS0101-396 396/8,5	796	796		MS0101-796 796/8,5	
896	896/8	446	446		446/8,5	896	896		896/8,5			
596	596	8	MS0101-596 596/8	496	496	8	496/8,5	896	896	8,5	MS0101-896 896/8,5	
	646		646/8	546	546		546/8,5		996		996	996/8,5
	696		696/8	596	596		596/8,5		896		896	MS0101-896 896/8,5
	796		796/8	696	696		696/8,5	996			996	996/8,5
	896		896/8	696	696		696/8,5					



# MS01011

## 330 N/mm<sup>2</sup>

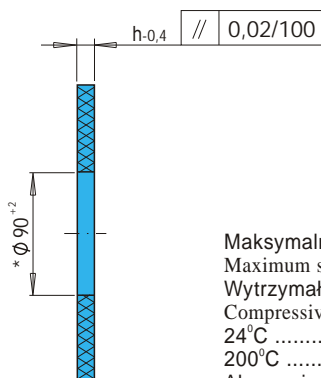
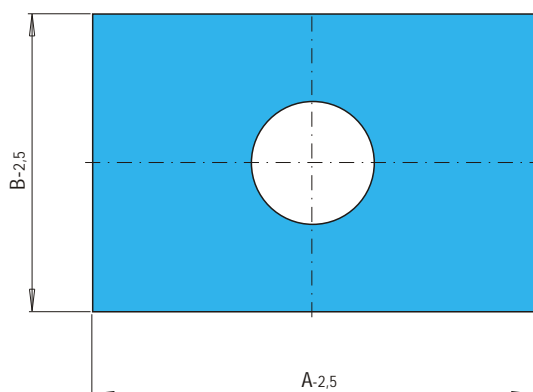
Maksymalna temperatura robocza: ..... 300 °C  
 Maximum service temperature  
 Wytrzymałość na ciskanie:  
 Compressive strength:  
 24°C ..... 330 N/mm<sup>2</sup>  
 200°C ..... 120 N/mm<sup>2</sup>  
 Absorpcja wody: ..... 0,1 %  
 Water absorption  
 G sto ..... 1,6 g/cm<sup>3</sup>  
 Density  
 Współczynnik przewodnictwa cieplnego: 0,13 W/m K  
 Thermal conductivity

\* - płyty o wymiarach 95x95 mm i 100x130 mm posiadaj otwory o średnicy 22 mm \* - holes diameters 22mm for plates with sizes 95x95mm and 100x130mm

B	A	h	NR KAT.	
95*	95*	3	MS01011-095 095/3	
100*	130*		MS01011-100 130/3	
156	156		MS01011-156 156/3	
	196		196/3	
	246		246/3	
	296		296/3	
	396		396/3	
190	246		MS01011-190 246/3	
	296		296/3	
196	196		MS01011-196 196/3	
	246		246/3	
	296		296/3	
	346		346/3	
206	156		MS01011-206 156/3	
	196	196/3		
218	246	MS01011-218 246/3		
	296	296/3		
246	246	MS01011-246 246/3		
	296	296/3		
254	246	MS01011-254 246/3		
276	246	MS01011-276 246/3		
296	296	MS01011-296 296/3		
	296	296/3		
95*	95*	5	MS01011-095 095/5	
100*	130*		MS01011-100 130/5	
156	156		MS01011-156 156/5	
	196		196/5	
	246		246/5	
	296		296/5	
	396		396/5	
	190		246	MS01011-190 246/5
196	246		MS01011-196 196/5	
	246		246/5	
196	296		296/5	
	346		346/5	
	396		396/5	
	446		446/5	
	206		156	MS01011-206 156/5
	218		246	MS01011-218 246/5
296			296/5	
396	296		MS01011-396 296/5	

B	A	h	NR KAT.	
246	246	5	MS01011-246 246/5	
			296/5	
			346/5	
			396/5	
			446/5	
			496/5	
	254		246	MS01011-254 246/5
			276	MS01011-276 246/5
	296		296	MS01011-296 296/5
				346/5
346		346	MS01011-346 346/5	
		396	396/5	
		446	446/5	
		496	496/5	
		546	546/5	
		596	596/5	
396	396	MS01011-396 396/5		
		446/5		
		496/5		
		546/5		
		446	446/5	
		496	496/5	
	126	156	MS01011-126 156/6	
		246	246/6	
		156	156	MS01011-156 156/6
			196	196/6
206	206/6			
246	246/6			
196	246	MS01011-246 246/6		
	296	296/6		
	346	346/6		
	396	396/6		
	446	446/6		
	206	206/6		
	246	246/6		
	296	296/6		
	346	346/6		
	396	396/6		
216	246	MS01011-216 246/6		
	296	296/6		

B	A	h	NR KAT.				
216	396	6	MS01011-216 396/6				
			246	MS01011-246 246/6			
				266	266/6		
				296	296/6		
				346	346/6		
			296	396	396/6		
	446			446/6			
	496			496/6			
	546			546/6			
	266		296	7	MS01011-266 296/6		
196		MS01011-196 296/7					
		346	346/7				
		396	396/7				
		446	446/7				
		218	396		MS01011-218 396/7		
			246		246	MS01011-246 246/7	
					296	296/7	
					346	346/7	
396		396/7					
296	446	8	446/7				
			254	246	MS01011-254 246/7		
				276	296	MS01011-276 296/7	
					296	346	346/7
						396	396/7
			446			446/7	
	346		346	MS01011-346 346/7			
			396	396/7			
			446	446/7			
			496	496/7			
396	396	8	546	546/7			
			296	MS01011-396 396/7			
				446	446/7		
				496	496/7		
				546	546/7		
			496	296	MS01011-496 546/7		
	296			296	MS01011-296 296/8		
				346	346/8		
				396	396/8		
			446	446/8			
546	496	496/8					
	546	546/8					

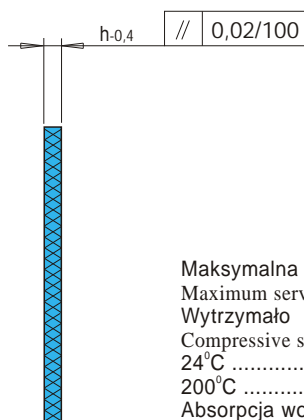
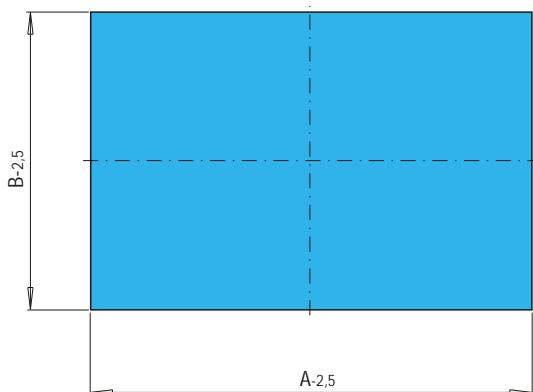


# MS01011

## 330 N/mm<sup>2</sup>

Maksymalna temperatura robocza: ..... 300 °C  
 Maximum service temperature  
 Wytrzymałość na ciskanie:  
 Compressive strength:  
 24°C ..... 330 N/mm<sup>2</sup>  
 200°C ..... 120 N/mm<sup>2</sup>  
 Absorpcja wody: ..... 0,1 %  
 Water absorption  
 G sto ..... 1,6 g/cm<sup>3</sup>  
 Density  
 Współczynnik przewodnictwa cieplnego: 0,13 W/m K  
 Thermal conductivity

B	A	h	NR KAT.	B	A	h	NR KAT.	B	A	h	NR KAT.
296	596	8	MS01011-296 596/8	646	646	8	MS01011-646 646/8	546	546	8,5	MS01011-546 546/8,5
	646		646/8		696/8		596		596/8,5		
	696		696/8		796/8		646		646/8,5		
346	346		MS01011-346 346/8	246	496	8,5	MS01011-246 496/8,5	696	696		696/8,5
	396		396/8	296	296		MS01011-296 296/8,5	796	796/8,5		
	446		446/8		346		346/8,5	896	896/8,5		
	496		496/8	396	396/8,5		996	996/8,5			
	546		546/8	446	446/8,5		596	596	MS01011-596 596/8,5		
	596		596/8	496	496/8,5			696	696/8,5		
	646		646/8	546	546/8,5			796	796/8,5		
	696		696/8	596	596/8,5			896	896/8,5		
	796		796/8	696	696/8,5			996	996/8,5		
	396		396		MS01011-396 396/8		346	346			MS01011-346 346/8,5
446		446/8	396		396/8,5	696		696/8,5			
496		496/8	446		446/8,5	796		796/8,5			
546		546/8	496		496/8,5	896		896/8,5			
596		596/8	546		546/8,5	996		996/8,5			
646		646/8	596		596/8,5	696		696		MS01011-696 696/8,5	
696		696/8	696		696/8,5			796		796/8,5	
796		796/8	796		796/8,5			896		896/8,5	
446	446		MS01011-446 446/8	396	396			MS01011-396 396/8,5	796	796	
	496		496/8		446	446/8,5		896		896/8,5	
	546		546/8		496	496/8,5		996		996/8,5	
	596		596/8		546	546/8,5		896		896	
	646		646/8		596	596/8,5			996	996/8,5	
	696		696/8		696	696/8,5					
	796		796/8		796	796/8,5					
	496		496			MS01011-496 496/8		446	446		
546		546/8	496	496/8,5							
596		596/8	546	546/8,5							
646		646/8	596	596/8,5							
696		696/8	696	696/8,5							
796		796/8	796	796/8,5							
546	546		MS01011-546 546/8	496	496		MS01011-496 496/8,5				
	596		596/8		546		546/8,5				
	646		646/8		596		596/8,5				
	696		696/8		696		696/8,5				
	796		796/8		796		796/8,5				
596	596		MS01011-596 596/8	496	496		MS01011-496 496/8,5				
	646		646/8		546		546/8,5				
	696		696/8		596		596/8,5				
	796		796/8		696		696/8,5				
					796		796/8,5				



MS0102

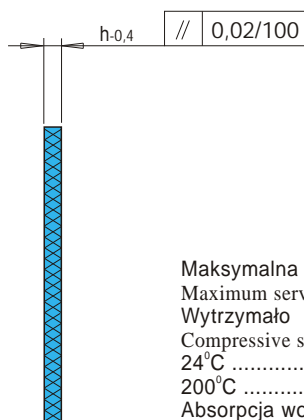
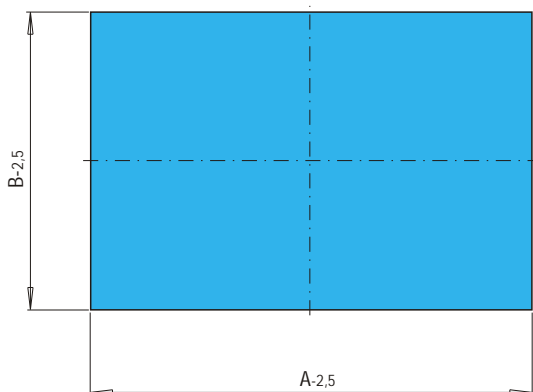
600 N/mm<sup>2</sup>

Maksymalna temperatura robocza: ..... 300 °C  
 Maximum service temperature  
 Wytrzymałość na ściskanie:  
 Compressive strength:  
 24°C ..... 600 N/mm<sup>2</sup>  
 200°C ..... 330 N/mm<sup>2</sup>  
 Absorpcja wody: ..... 0,05 %  
 Water absorption  
 G sto ..... 2,0 g/cm<sup>3</sup>  
 Density  
 Współczynnik przewodnictwa cieplnego: 0,22 W/m K  
 Thermal conductivity

B	A	h	NR KAT.
95	95	3	MS0102-095 095/3
100	130		MS0102-100 130/3
156	156		MS0102-156 156/3
	196		196/3
	246		246/3
190		MS0102-190 246/3	
196	196	MS0102-196 196/3	
	246	246/3	
206	156	MS0102-206 156/3	
	196	196/3	
95	95	5	MS0102-095 095/5
100	130		MS0102-100 130/5
156	156		MS0102-156 156/5
	196		196/5
	246		246/5
	296		296/5
190	246		MS0102-190 246/5
	296		296/5
	346		346/5
196	196		MS0102-196 196/5
	246	246/5	
	296	296/5	
	346	346/5	
206	156	MS0102-206 156/5	
	196	196/5	
218	246	MS0102-218 246/5	
246	246	MS0102-246 246/5	
	296	296/5	
	346	346/5	
	396	396/5	
254	246	MS0102-254 246/5	
276		MS0102-276 246/5	
126	156	6	MS0102-126 156/6
	246		246/6
	156		MS0102-156 156/6
156	196	196/6	
	206	206/6	

B	A	h	NR KAT.
156	246	6	MS0102-156 246/6
	296		296/6
	346		346/6
	396		396/6
	446		446/6
196	196	MS0102-196 196/6	
	206	206/6	
	246	246/6	
	296	296/6	
	346	346/6	
	396	396/6	
	446	446/6	
216	246	MS0102-216 246/6	
	296	296/6	
	396	396/6	
	496	496/6	
	246	MS0102-246 246/6	
246	266	266/6	
	296	296/6	
	346	346/6	
	396	396/6	
	446	446/6	
	496	496/6	
	546	546/6	
	596	596/6	
266	296	MS0102-266 296/6	
196		7	MS0102-196 296/7
	346		346/7
	396		396/7
	446		446/7
	218		396
246	246	MS0102-246 246/7	
	296	296/7	
	346	346/7	
	396	396/7	
	446	446/7	
254	246	MS0102-254 246/7	
276	296	MS0102-276 296/7	

B	A	h	NR KAT.
296	296	7	MS0102-296 296/7
	346		346/7
	396		396/7
	446		446/7
	346		MS0102-346 346/7
346	346	396/7	
	446	446/7	
	496	496/7	
	546	546/7	
	396	MS0102-396 396/7	
396	396	446/7	
	446	496/7	
	496	496/7	
	546	546/7	
	496	MS0102-496 546/7	
296	296	8	MS0102-296 296/8
	346		346/8
	396		396/8
	446		446/8
	496		496/8
	546		546/8
	596		596/8
	646		646/8
	696		696/8
	346		MS0102-346 346/8
396	346	396/8	
	396	446/8	
	446	496/8	
	496	546/8	
	546	596/8	
	596	646/8	
	646	696/8	
	696	796/8	
	796	796/8	
	396	MS0102-396 396/8	
396	396	446/8	
	446	496/8	
	496	546/8	
	546	596/8	
	596	596/8	
	646	646/8	

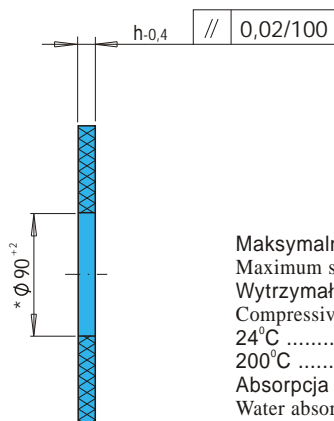
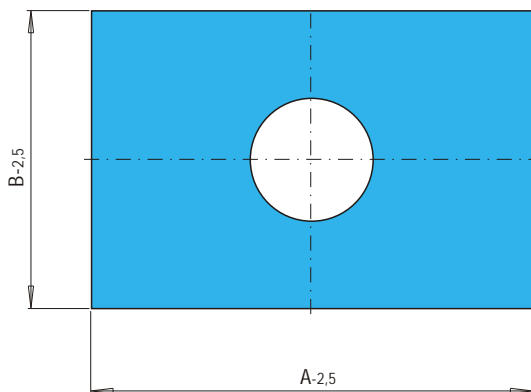


# MS0102

## 600 N/mm<sup>2</sup>

Maksymalna temperatura robocza: ..... 300 °C  
 Maximum service temperature  
 Wytrzymałość na ciskanie:  
 Compressive strength:  
 24°C ..... 600 N/mm<sup>2</sup>  
 200°C ..... 330 N/mm<sup>2</sup>  
 Absorpcja wody: ..... 0,05 %  
 Water absorption  
 G sto ..... 2,0 g/cm<sup>3</sup>  
 Density  
 Współczynnik przewodnictwa cieplnego: 0,22 W/m K  
 Thermal conductivity

B	A	h	NR KAT.	B	A	h	NR KAT.	B	A	h	NR KAT.
396	696	8	MS0102-396 696/8	746	996	8	MS0102-746 996/8	446	896	8,5	MS0102-446 896/8,5
	796		796/8	796	796		MS0102-796 796/8	496	496		MS0102-496 496/8,5
446	446	8	MS0102-446 446/8	846	846	8,5	846/8	546	546	8,5	546/8,5
	496		496/8	896	896/8		596	596/8,5			
	546		546/8	996	996/8		696	696/8,5			
	596		596/8	846	896		796	796/8,5			
	646		646/8	996	996/8		896	896/8,5			
	696		696/8	246	496		996	996/8,5			
	796		796/8	296	296		546	546/8,5			
496	496	8	MS0102-496 496/8	346	346	8,5	MS0102-346 346/8,5	546	546	8,5	MS0102-546 546/8,5
	546		546/8	396	396/8,5		596	596/8,5			
	596		596/8	446	446/8,5		646	646/8,5			
	646		646/8	496	496/8,5		696	696/8,5			
	696		696/8	546	546/8,5		796	796/8,5			
	796		796/8	596	596/8,5		896	896/8,5			
546	546	8	MS0102-546 546/8	696	696/8,5	8,5	MS0102-546 546/8,5	596	596	8,5	MS0102-596 596/8,5
	596		596/8	346	346		696	696/8,5			
	646		646/8	396	396/8,5		796	796/8,5			
	696		696/8	446	446/8,5		896	896/8,5			
	796		796/8	496	496/8,5		996	996/8,5			
596	596	8	MS0102-596 596/8	546	546/8,5	8,5	MS0102-596 596/8,5	646	596	8,5	MS0102-646 596/8,5
	646		646/8	596	596/8,5		696	696/8,5			
	696		696/8	696	696/8,5		796	796/8,5			
	796		796/8	796	796/8,5		896	896/8,5			
	896		896/8	896	896/8,5		996	996/8,5			
	996		996/8	396	396		696	696/8,5			
	646		646	8	MS0102-646 646/8		446	446/8,5	8,5		MS0102-646 646/8,5
696		696/8	496		496/8,5	796	796/8,5				
796		796/8	546		546/8,5	896	896/8,5				
896		896/8	596		596/8,5	996	996/8,5				
996		996/8	696		696/8,5	796	796/8,5				
696		696	8		MS0102-696 696/8	796	796/8,5	8,5		MS0102-696 696/8,5	896
	746	746/8		896	896/8,5	996	996/8,5				
	796	796/8		446	446	896	896/8,5				
	896	896/8		496	496/8,5	996	996/8,5				
	996	996/8		546	546/8,5	896	896/8,5				
	746	796		8	MS0102-746 796/8	696	696/8,5		8,5	MS0102-746 796/8,5	896
896		896/8	796		796/8,5	996	996/8,5				



# MS01021

## 600 N/mm<sup>2</sup>

Maksymalna temperatura robocza: ..... 300 °C  
 Maximum service temperature  
 Wytrzymałość na ciskanie:  
 Compressive strength:  
 24°C ..... 600 N/mm<sup>2</sup>  
 200°C ..... 330 N/mm<sup>2</sup>  
 Absorpcja wody: ..... 0,05 %  
 Water absorption  
 G sto ..... 2,0 g/cm<sup>3</sup>  
 Density  
 Współczynnik przewodnictwa cieplnego: 0,22 W/m K  
 Thermal conductivity

\* - płyty o wymiarach 95x95 mm i 100x130 mm posiadaj otwory o średnicy 22 mm

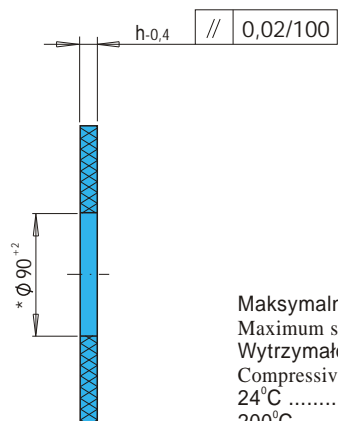
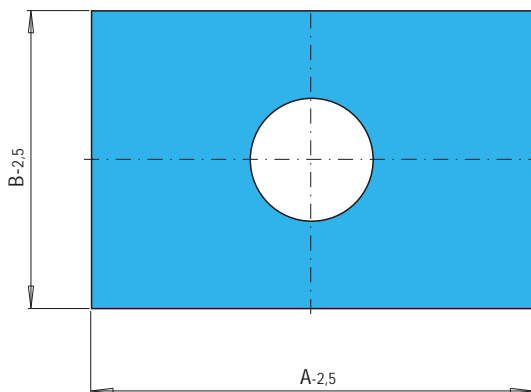
\* - holes diameters 22mm for plates with sizes 95x95mm and 100x130mm

B	A	h	NR KAT.	
95*	95*	3	MS01021-095 095/3	
100*	130*		MS01021-100 130/3	
156	156		MS01021-156 156/3	
	196		196/3	
	246		246/3	
190			MS01021-190 246/3	
196	196		MS01021-196 196/3	
	246		246/3	
206	156		MS01021-206 156/3	
	196		196/3	
95*	95*	5	MS01021-095 095/5	
100*	130*		MS01021-100 130/5	
156	156		MS01021-156 156/5	
	196		196/5	
	246		246/5	
	296		296/5	
	396		396/5	
190	246		MS01021-190 246/5	
	296		296/5	
196	196		MS01021-196 196/5	
	246		246/5	
	296		296/5	
	346		346/5	
	206		156	MS01021-206 156/5
	196		196/5	
218	246		MS01021-218 246/5	
	296		296/5	
246	246		MS01021-246 246/5	
	296		296/5	
	346		346/5	
	396	396/5		
	254	246	MS01021-254 246/5	
276		MS01021-276 246/5		
126	156	6	MS01021-126 156/6	
	246		246/6	
	156		156	MS01021-156 156/6
			196	196/6
206		206/6		

B	A	h	NR KAT.	
156	246	6	MS01021-156 246/6	
	296		296/6	
	346		346/6	
	396		396/6	
	446		446/6	
196	196	MS01021-196 196/6		
	206	206/6		
	246	246/6		
	296	296/6		
	346	346/6		
	396	396/6		
	446	446/6		
	496	496/6		
216	246	MS01021-216 246/6		
	296	296/6		
	396	396/6		
	496	496/6		
246	246	MS01021-246 246/6		
	266	266/6		
	296	296/6		
	346	346/6		
	396	396/6		
	446	446/6		
	496	496/6		
	546	546/6		
	596	596/6		
	266	296	MS01021-266 296/6	
196		7	MS01021-196 296/7	
	346		346/7	
	396		396/7	
	446		446/7	
	218		396	MS01021-218 396/7
	246		246	MS01021-246 246/7
			296	296/7
			346	346/7
			396	396/7
			446	446/7
254	246	MS01021-254 246/7		
276	296	MS01021-276 296/7		

B	A	h	NR KAT.
296	296	7	MS01021-296 296/7
	346		346/7
	396		396/7
	446		446/7
346	346	MS01021-346 346/7	
	396	396/7	
	446	446/7	
396	396	8	MS01021-396 396/7
	446		446/7
	496		496/7
	546		546/7
496		MS01021-496 546/7	
296	296	8	MS01021-296 296/8
	346		346/8
	396		396/8
	446		446/8
	496		496/8
	546		546/8
	596		596/8
	646		646/8
	696		696/8
	346		346
396		396/8	
446		446/8	
496		496/8	
546		546/8	
596		596/8	
646		646/8	
696		696/8	
796		796/8	
396		396	8
	446	446/8	
	496	496/8	
	546	546/8	
	596	596/8	
	646	646/8	
	696	696/8	
	796	796/8	





# MS01021

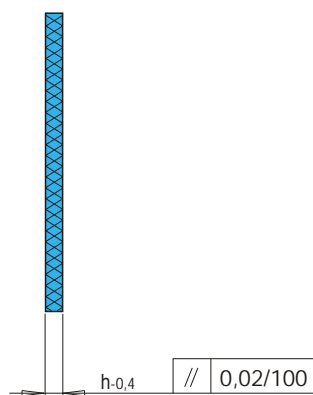
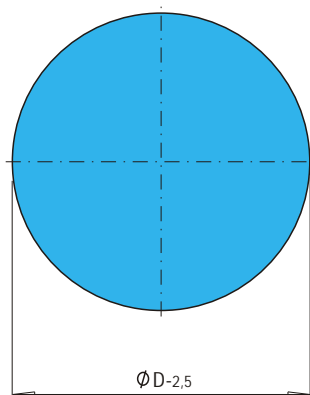
## 600 N/mm<sup>2</sup>

Maksymalna temperatura robocza: ..... 300 °C  
 Maximum service temperature  
 Wytrzymałość na ciskanie:  
 Compressive strength:  
 24°C ..... 600 N/mm<sup>2</sup>  
 200°C ..... 330 N/mm<sup>2</sup>  
 Absorpcja wody: ..... 0,05 %  
 Water absorption  
 G sto ..... 2,0 g/cm<sup>3</sup>  
 Density  
 Współczynnik przewodnictwa cieplnego: 0,22 W/m K  
 Thermal conductivity

B	A	h	NR KAT.	B	A	h	NR KAT.	B	A	h	NR KAT.	
396	696	8	MS01021-396 696/8	346	446	8,5	MS01021-346 446/8,5	596	896	8,5	MS01021-596 896/8,5	
	796		796/8		496		496/8,5		996		996/8,5	
446	446	8	MS01021-446 446/8	546	546/8,5	396	396	696	596	8,5	MS01021-646 596/8,5	
	496		496/8	596	596/8,5		696		696/8,5			
	546		546/8	796	796/8,5		796		796/8,5			
	596		596/8	MS01021-396 396/8,5	896		896/8,5		996		996/8,5	
	646		646/8	446	446/8,5		696		696		MS01021-696 696/8,5	
	696		696/8	496	496/8,5				796		796/8,5	
	796		796/8	546	546/8,5				896		896/8,5	
496	496	8	MS01021-496 496/8	596	596/8,5	446	446	8,5	MS01021-446 446/8,5	896	896	MS01021-896 896/8,5
	546		546/8	496	496/8,5		496		496/8,5			
	596		596/8	546	546/8,5		546		546/8,5			
	646		646/8	596	596/8,5		596		596/8,5			
	696		696/8	696	696/8,5		696		696/8,5			
	796		796/8	796	796/8,5		796		796/8,5			
546	546	8	MS01021-546 546/8	896	896/8,5	496	496	8,5	MS01021-496 496/8,5	896	896	MS01021-896 896/8,5
	596		596/8	496	496/8,5		546		546/8,5			
	646		646/8	546	546/8,5		596		596/8,5			
	696		696/8	596	596/8,5		696		696/8,5			
	796		796/8	696	696/8,5		796		796/8,5			
596	596	8	MS01021-596 596/8	896	896/8,5	546	546	8,5	MS01021-546 546/8,5	896	896	MS01021-896 896/8,5
	646		646/8	496	496/8,5		596		596/8,5			
	696		696/8	546	546/8,5		646		646/8,5			
	796		796/8	596	596/8,5		696		696/8,5			
646	646	8	MS01021-646 646/8	696	696/8,5	596	596	8,5	MS01021-596 596/8,5	896	896	MS01021-896 896/8,5
	696		696/8	696	696/8,5		696		696/8,5			
	796		796/8	796	796/8,5		796		796/8,5			
	MS01021-646 646/8		896	896/8,5	896		896/8,5					
246	496	8,5	MS01021-246 496/8,5	996	996/8,5	546	546	8,5	MS01021-546 546/8,5	896	896	MS01021-896 896/8,5
	296		296/8,5	546	546/8,5		596		596/8,5			
	346		346/8,5	646	646/8,5		646		646/8,5			
	396		396/8,5	696	696/8,5		696		696/8,5			
	446		446/8,5	796	796/8,5		796		796/8,5			
	496		496/8,5	896	896/8,5		896		896/8,5			
	546		546/8,5	996	996/8,5		996		996/8,5			
	596		596/8,5	MS01021-596 596/8,5	MS01021-596 596/8,5		MS01021-596 596/8,5					
	696		696/8,5	696	696/8,5		696		696/8,5			
	MS01021-246 496/8,5		796	796/8,5	796		796/8,5					
346	346	8,5	MS01021-346 346/8,5	996	996/8,5	596	596	8,5	MS01021-596 596/8,5	896	896	MS01021-896 896/8,5
	MS01021-346 346/8,5		696	696/8,5	696		696/8,5					
	396		396/8,5	796	796/8,5		796		796/8,5			

# MS0103

600 N/mm<sup>2</sup>

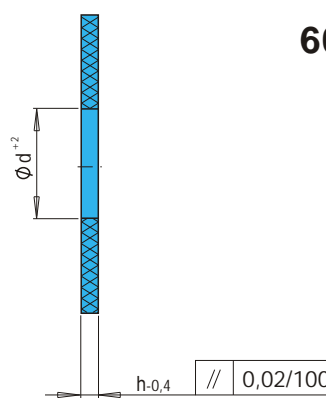
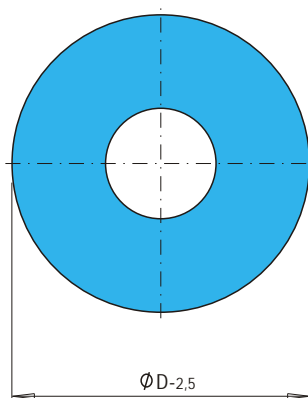


Maksymalna temperatura robocza: ..... 300 °C  
Maximum service temperature  
Wytrzymałość na ciskanie:  
Compressive strength:  
24°C ..... 600 N/mm<sup>2</sup>  
200°C ..... 330 N/mm<sup>2</sup>  
Absorpcja wody: ..... 0,05 %  
Water absorption  
G sto ..... 2,0 g/cm<sup>3</sup>  
Density  
Współczynnik przewodnictwa cieplnego: 0,22 W/m K  
Thermal conductivity

D	h	NR KAT.
95	3	MS0103-095/3
116		MS0103-116/3
156		MS0103-156/3
196	5	MS0103-156/5
		MS0103-196/5
		MS0103-246/5
		MS0103-296/5
344	7	MS0103-344/7

# MS01031

600 N/mm<sup>2</sup>



Maksymalna temperatura robocza: ..... 300 °C  
Maximum service temperature  
Wytrzymałość na ciskanie:  
Compressive strength:  
24°C ..... 600 N/mm<sup>2</sup>  
200°C ..... 330 N/mm<sup>2</sup>  
Absorpcja wody: ..... 0,05 %  
Water absorption  
G sto ..... 2,0 g/cm<sup>3</sup>  
Density  
Współczynnik przewodnictwa cieplnego: 0,22 W/m K  
Thermal conductivity

D	d	h	NR KAT.
95	22	3	MS01031-095 22/3
156	90		MS01031-156 90/3
196	90	5	MS01031-156 90/5
			MS01031-196 90/5
			MS01031-246 90/5
			MS01031-296 90/5
344		7	MS01031-344 90/7

